

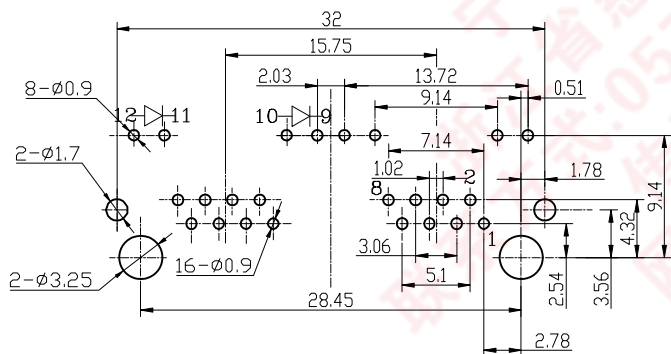
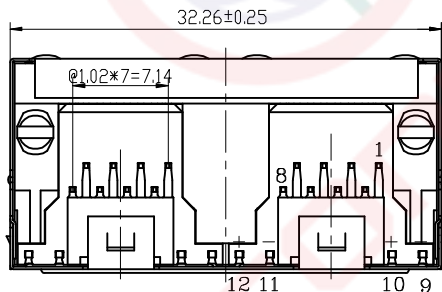
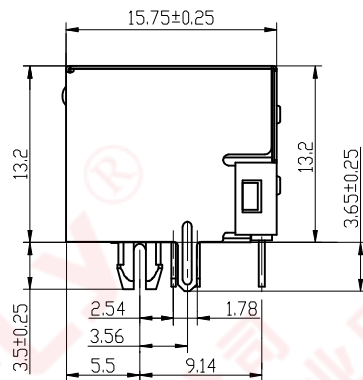
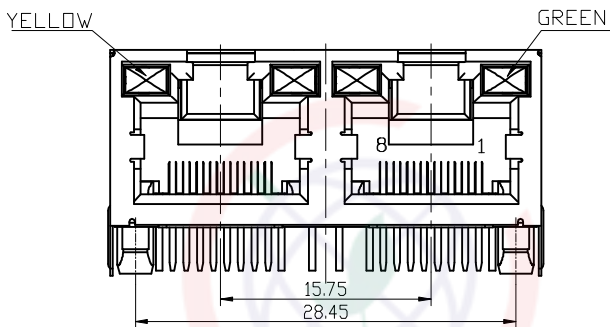
REV.	DESCRIPTION	DRAWN	CHECKED	APPROVED
A	NEW RELEASE	JLZ 06/06/16'	~	

NOTES:

- ELECTRICAL CHARACTERISTICS:
 - CONTACT RESISTANCE: 20mΩ Max.
 - DIELECTRIC WITHSTANDING VOLTAGE: 500V AC(rms) FOR 1 MINUTE.
 - INSULATION RESISTANCE: 1000MΩ Min.
 - VOLTAGE RATING:125V.
 - CURRENT RATING:1.5A.
- ENVIRONMENT CHARACTERISTICS:
 - TEMPERATURE: -40°C~+85°C.
- MATERIALS
 - CONTACT MATERIAL: COPPER ALLOY.
 - CONTACT PLATING: SELECTIVE GOLD.
 - INSULATOR MATERIALS: PBT BLACK.
- PRODUCT NUMBER CODE:

DS1134-07-X X X X - X

- Shell Type
S:W/ Shrapnel
X:W/O Shrapnel
- Housing Materials
P:PBT
- Contact Plating
0:Seclective Gold Flash
- Housing Color
B:Black
- No.Of Contacts
8:8p8c
- Connector Type
S:Socket



PC BOARD LAYOUT
THICKNESS=1.6mm

GENERAL TOLERANCE		ANGLE TOLERANCE	
X.	±0.60	X.	±5°
.X	±0.38	.X	±3°
.XX	±0.25	.XX	±2°

PROJECTION	TITLE
mm	PCB Jack 8 Positions 1*2 Port W/ Shell 3.56mm WITH LED Type
SHEET SIZE	SERIES
A4	DS1129-04 SERIES

DRAWING TYPE	CUSTOMER
SCALE	1:1 SHEET 1 OF 1
DRAWING NO.	C-DS1129-04-XXXXX-A

CONNFLY 晨翔电子有限公司
CONNFLY CONNFLY ELECTRONIC CO. LTD