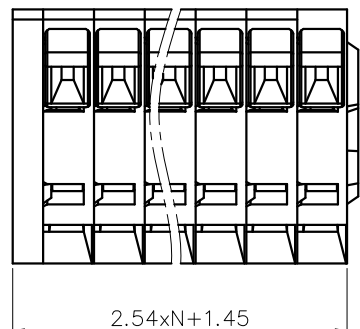


REVISION RECORD				
REV	ECN	DESCRIPTION	DRFT	DATE

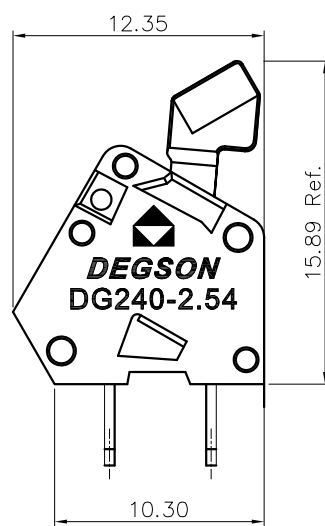
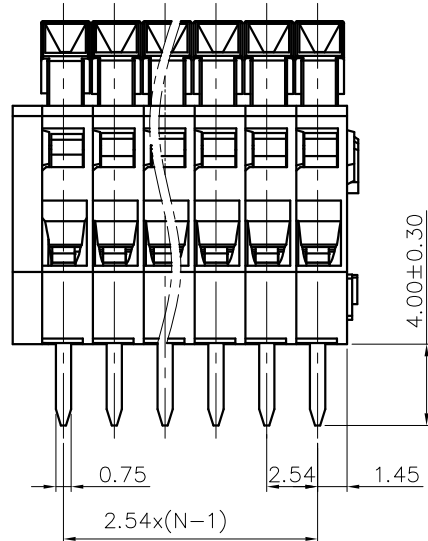
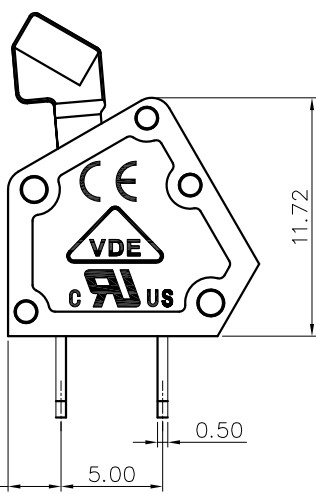


NOTES1:  
 UL Standard  
 1.Rated voltage/current : 150V / 4A  
 2.Wire range : 28~20AWG  
 IEC Standard  
 1.Rated voltage/current : 130V / 6A  
 2.Wire range : 0.2~0.5mm<sup>2</sup>

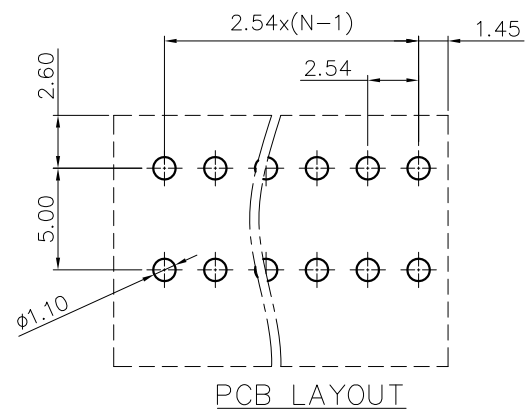
NOTES2:  
 1.Dimension shall be interpreted per ASME Y14.5-2009  
 2.Pitch : 2.54mm, Poles : N=01~XXP  
 3.Stripping length : 5~6mm  
 4.Withstanding voltage : AC1500V/1Min  
 5.Operating temperature : -40°C~+105°C  
 6.Undimensioned tolerances:

Pitch range in mm		Nominal dimension range in mm							
TO	Over TO	TO	Over TO	TO	Over TO	TO	Over TO	0.1/10	
6	10	10	24	30	60	100	150		
±0.15	±0.20	±0.30	±0.30	±0.50	±0.70	±1.00	±1.30		±2'

7.RoHS Compliance



DG240 - 2.54 - XXP - 1Y - 00A (H)  
 (Series No.) (Pitch) (Poles) (Single Pitch) (Color): 1.(Grey) 2.(Blue) 3.(Black) 4.(Green) 5.(Orange) 6.(Red) 7.(Transparent) 8.(Yellow) 9.(White)  
 (RoHS)  
 00A-(Standard)



DETACHED LISTS	PART NO.:	宁波高松电子有限公司 NINGBO DEGSON ELECTRICAL CO., LTD			
	APPD:	NAME: DG240-2.54-XXP-1Y-00A(H)			
	CHKD:	TITLE: CUSTOMER DRAWING			
	DRFT:	DRAWING NO.:		REV	DO
THIRD ANGLE PROJECTION		MM (INCH)	DO NOT SCALE DRAWING	SHEET	1/1
			SCALE	1:1	