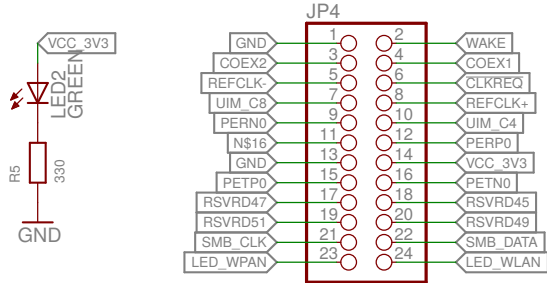
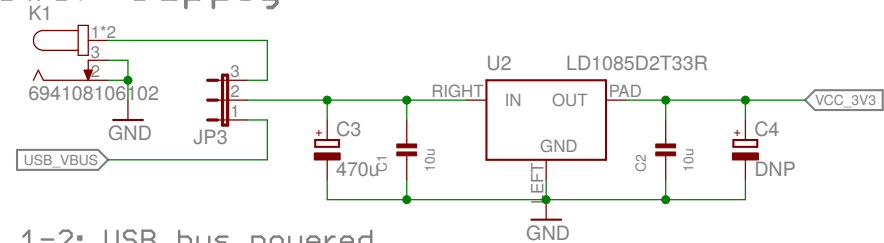


## I/O Header

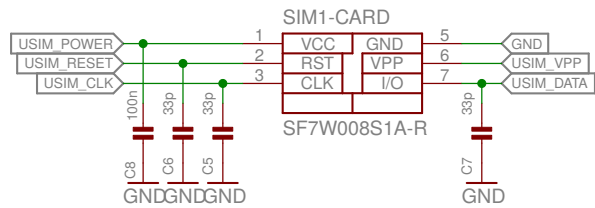


## Power Supply

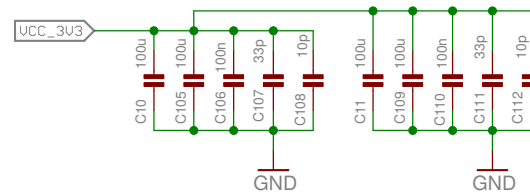


JP3 1-2: USB bus powered  
JP3 2-3: external 5V supply

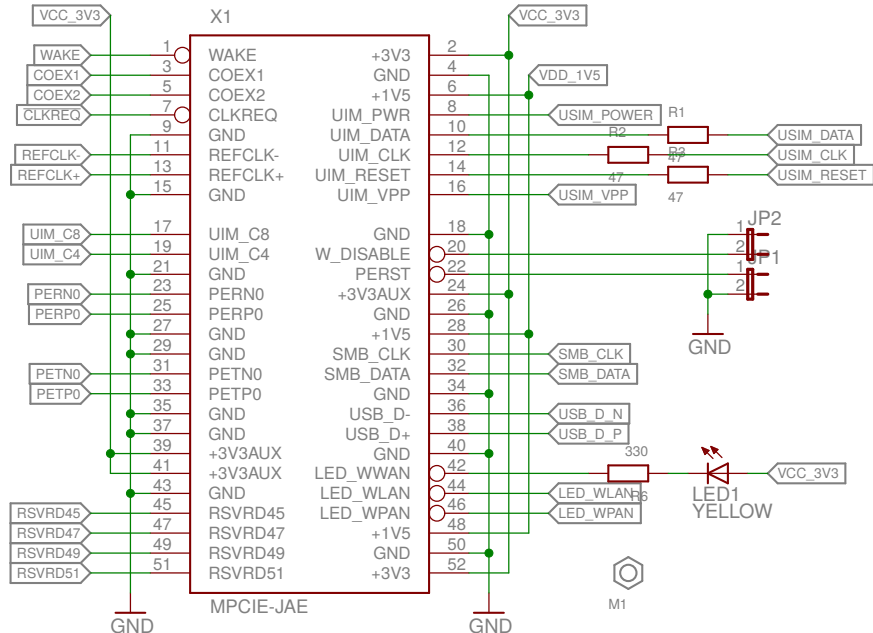
## SIM Card Slot



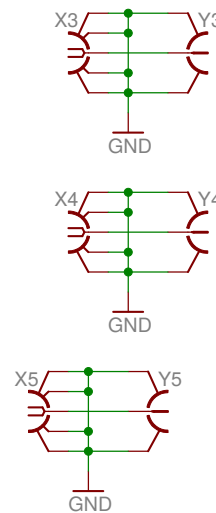
## Blocking Capacitors



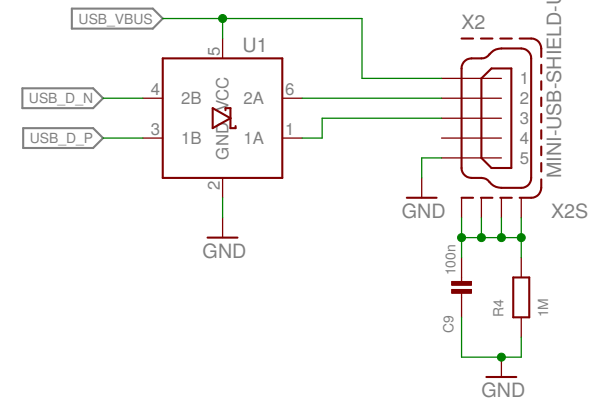
## mPCIe Socket



## RF SMA



## USB Interface



miniPCIe breakout board  
(C) 2016 by Harald Welte <laforge@gnumonks.org>

TITLE: mpcie-breakout

Document Number:

REV:  
v3

Date: 23.03.17 21:54

Sheet: 1/1