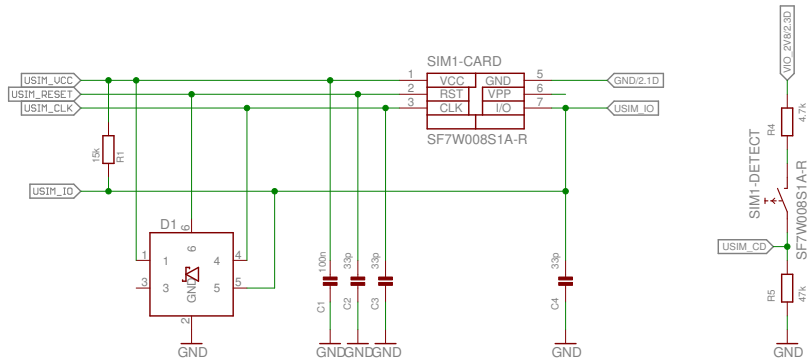
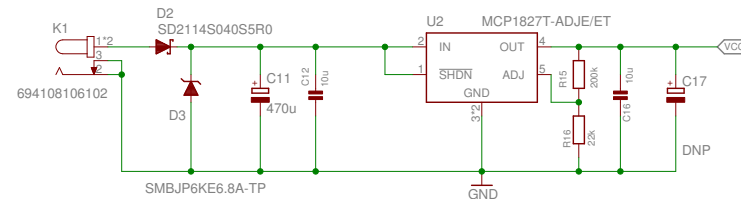


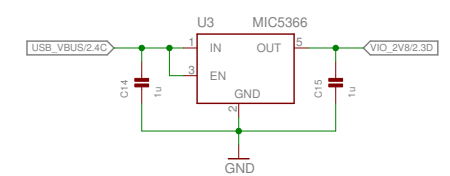
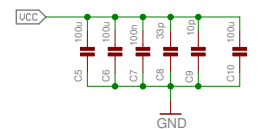
SIM Card Slot



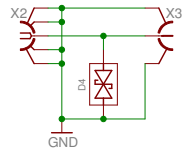
Power Supply



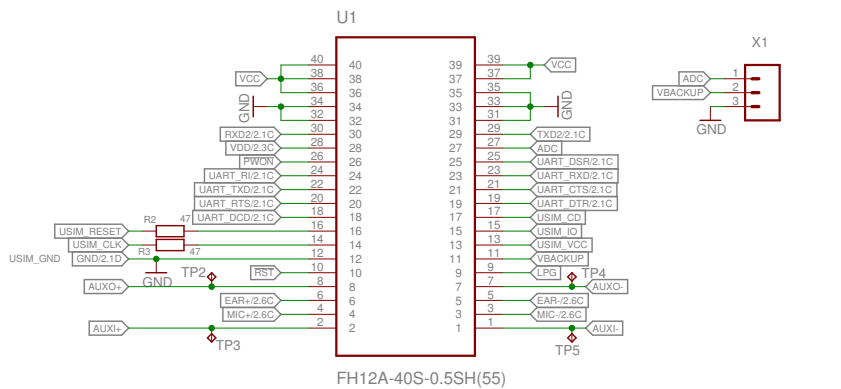
Blocking Capacitors



RF SMA-uFL



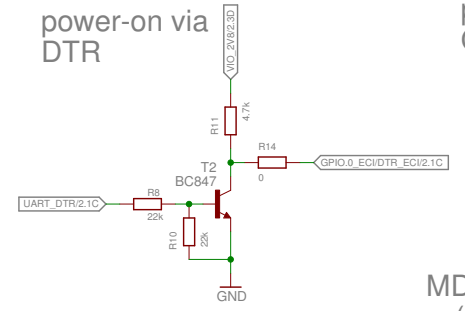
FPC socket



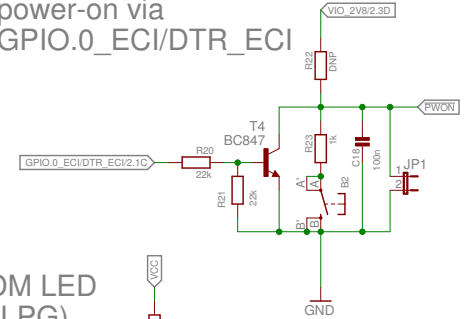
PWR LED



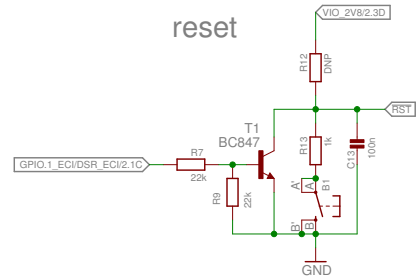
power-on via DTR



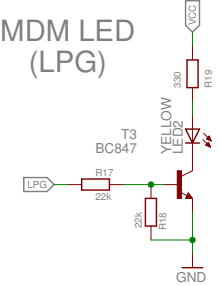
power-on via GPIO.0_ECI/DTR_ECI



reset



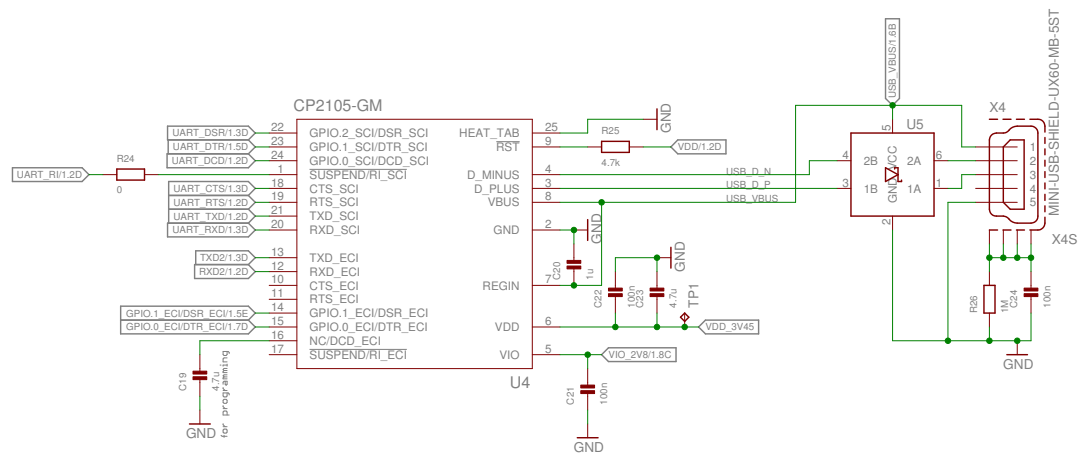
MDM LED (LPG)



GTM900 breakout board
(C) 2020 by
systocom s.f.m.c

GTM900-breakout	
5/19/20 2:27 PM	
Sheet: 1/2	v1

dual USB UART



audio i/o (1st channel)

