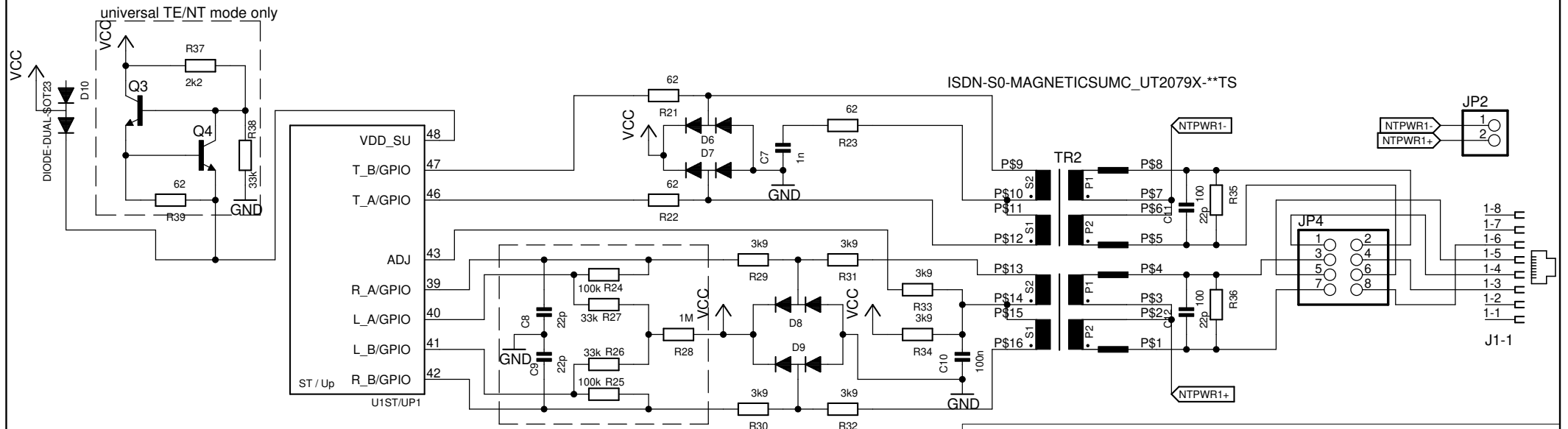
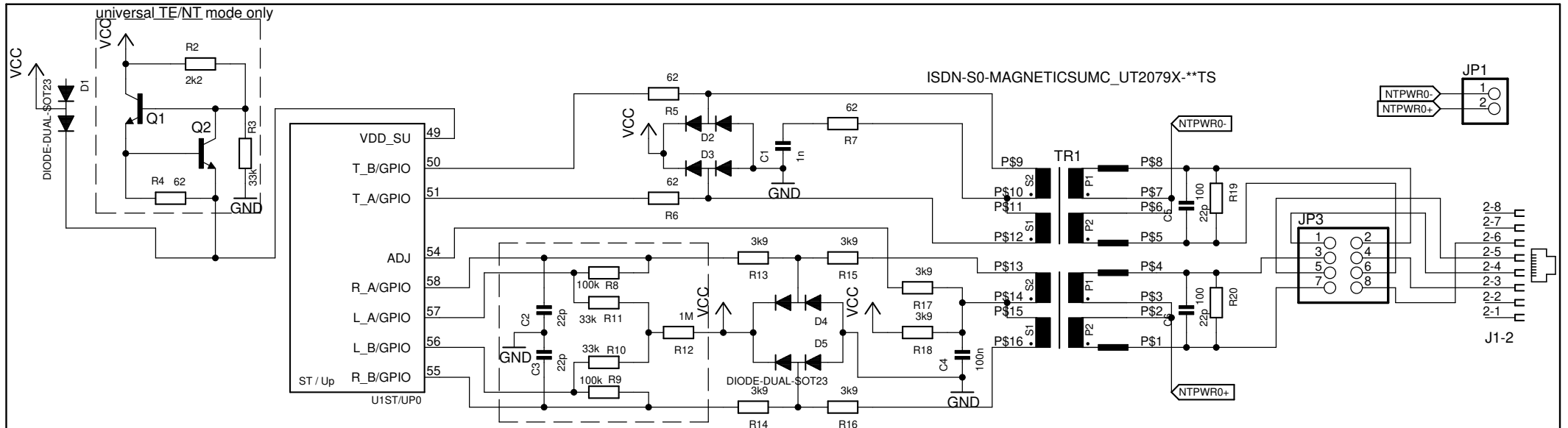


TITLE: xhfc-breakout	
Document Number:	REV:
Date: 13.05.22 11:34	Sheet: 1/2



TITLE: xhfc-breakout

Document Number:

REV:

Date: 13.05.22 11:34

Sheet: 2/2