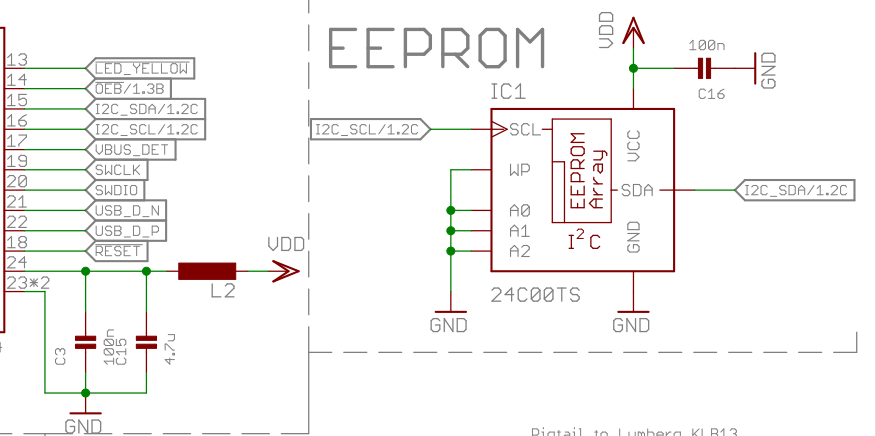


Osmocom clock-generator board  
 (C) 2018 by Harald Welte <laforge@gnumonks.org>  
 OSHW / CC-BY-SA

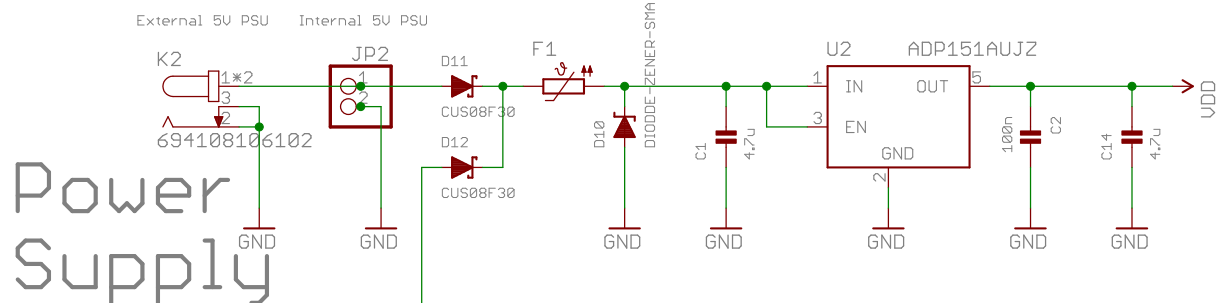
TITLE: clock-generator

Document Number: \_\_\_\_\_ REV: v1

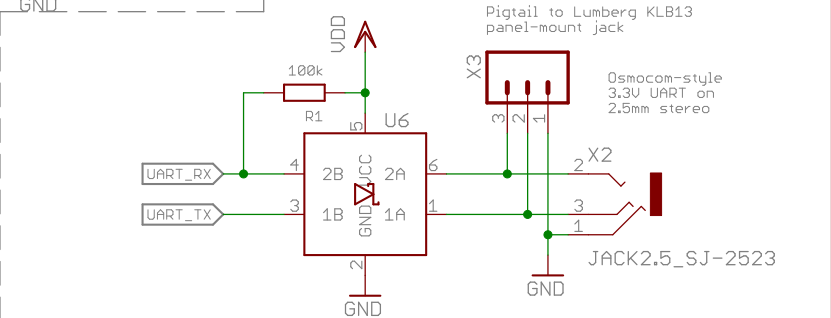
Date: 27.01.19 18:24 Sheet: 1/2



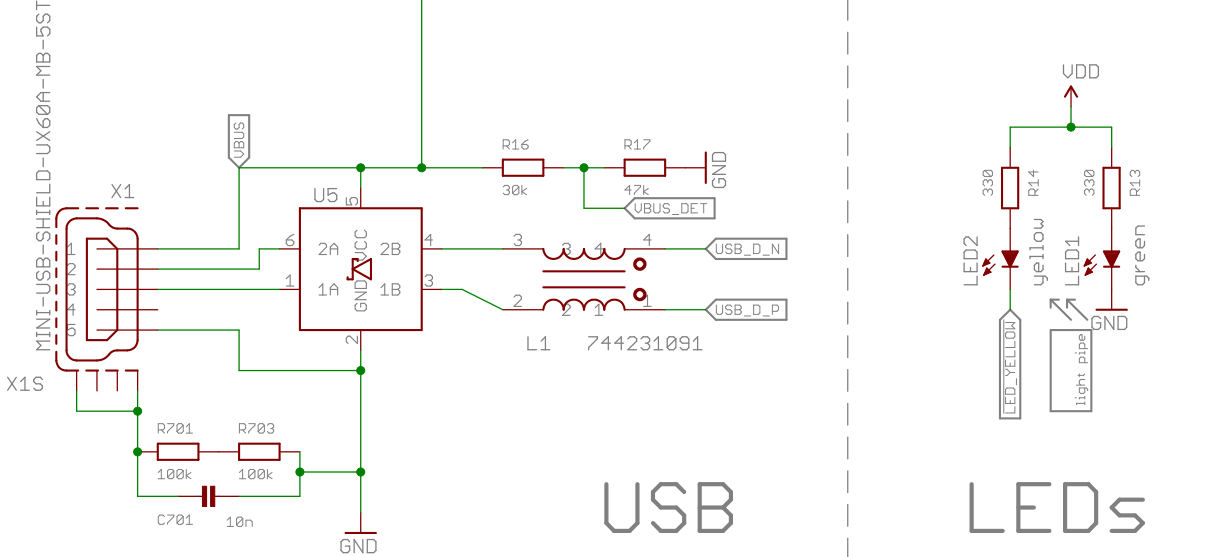
# Microcontroller



# Power Supply

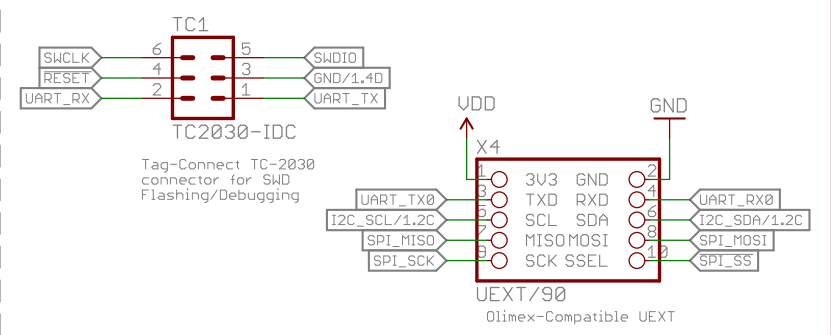


# Connectors



# USB

# LEDs



Osmocom clock-generator board  
 (C) 2018 by Harald Welte <laforge@gnumonks.org>  
 OSHW / CC-BY-SA

**TITLE:** clock-generator

**Document Number:** \_\_\_\_\_

**Date:** 27.01.19 18:24

**REV:** v1

**Sheet:** 2/2