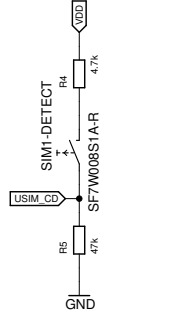
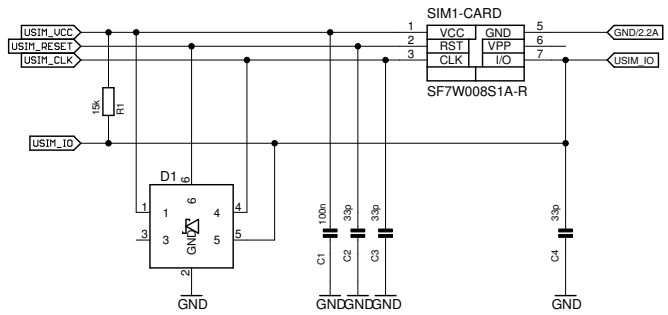
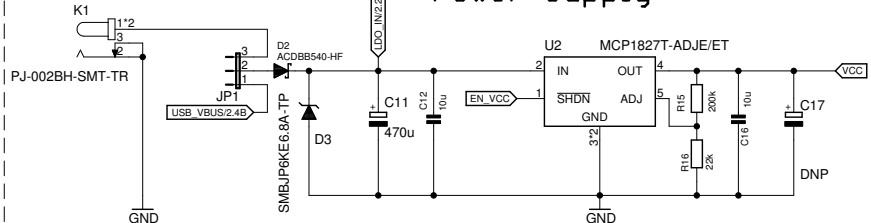


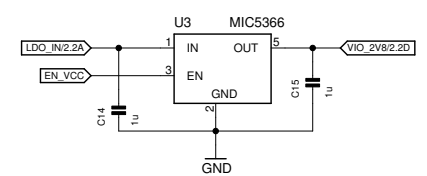
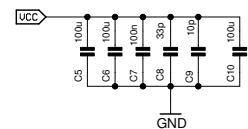
SIM Card Slot



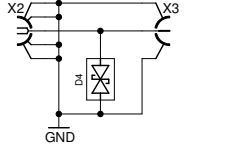
Power Supply



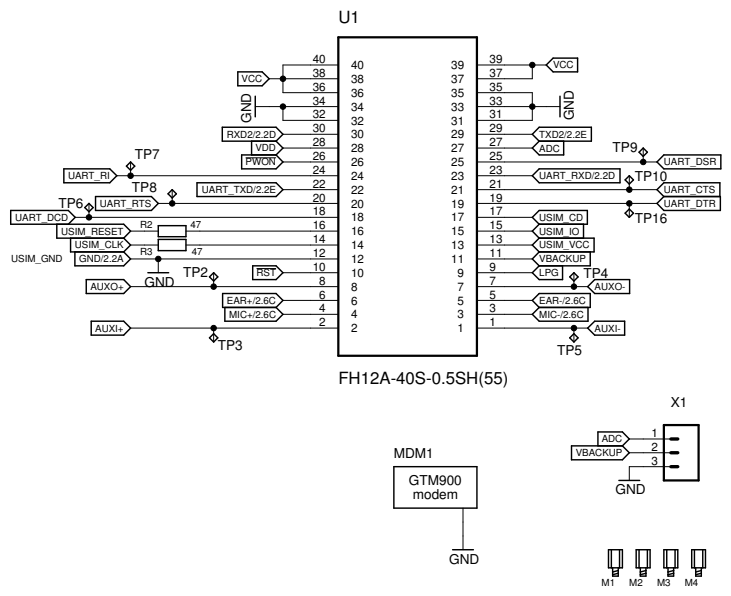
Blocking Capacitors



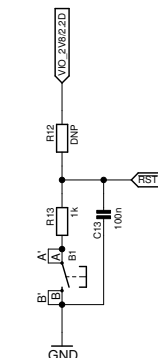
RF SMA-uFL



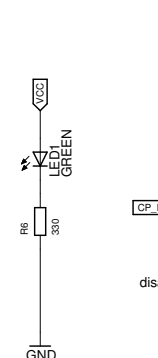
FPC socket



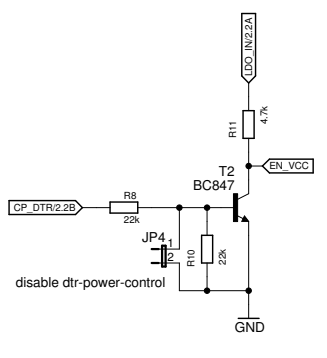
man. RST



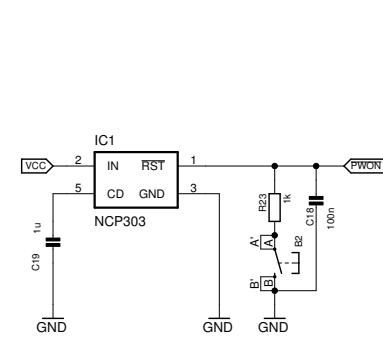
PWR LED



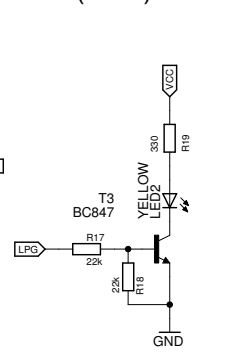
power-on via DTR



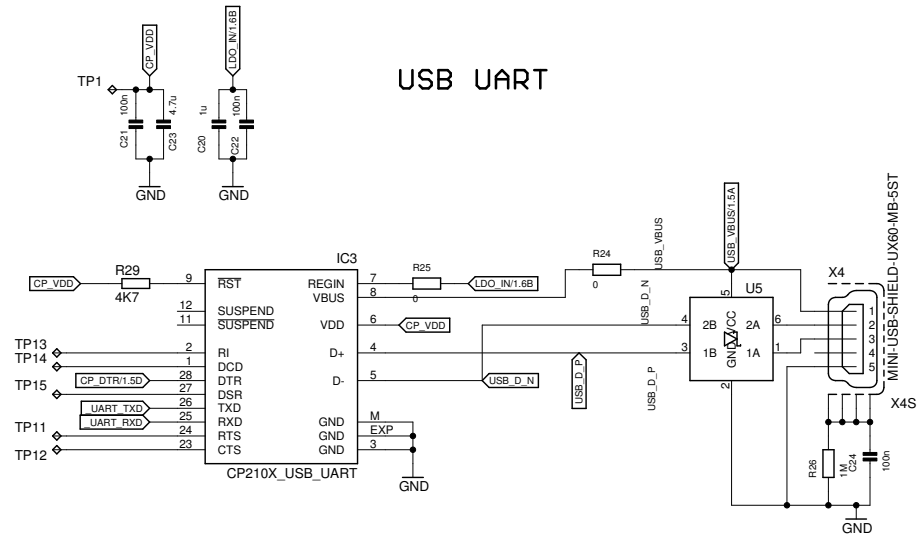
delayed PWON



MDM LED (LPG)



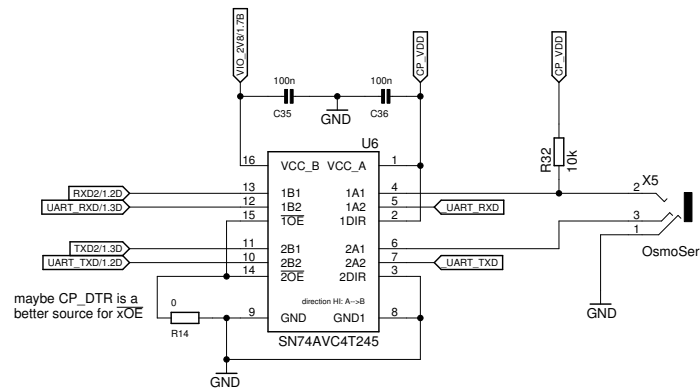
GTM900 breakout board (C) 2022 by systocom s.f.m.c	GTM900-breakout_v2 2/16/22 12:29 AM Sheet: 1/2	v2
--	--	----



USB UART

audio i/o
(1st channel)

level translator



maybe CP_DTR is a better source for xOE

