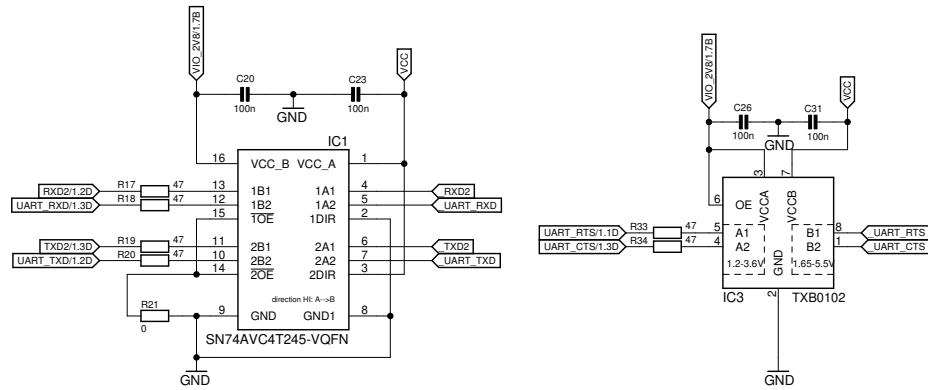
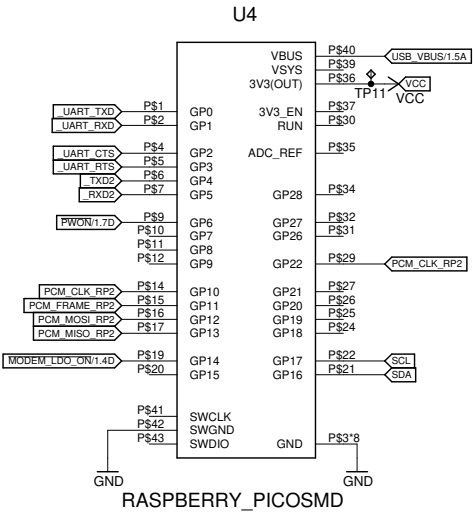


GTM900 breakout board (C) 2022 by systocom s.f.m.c	GTM900-breakout 06.11.23 15:15 Sheet: 1/2	v3
--	---	----

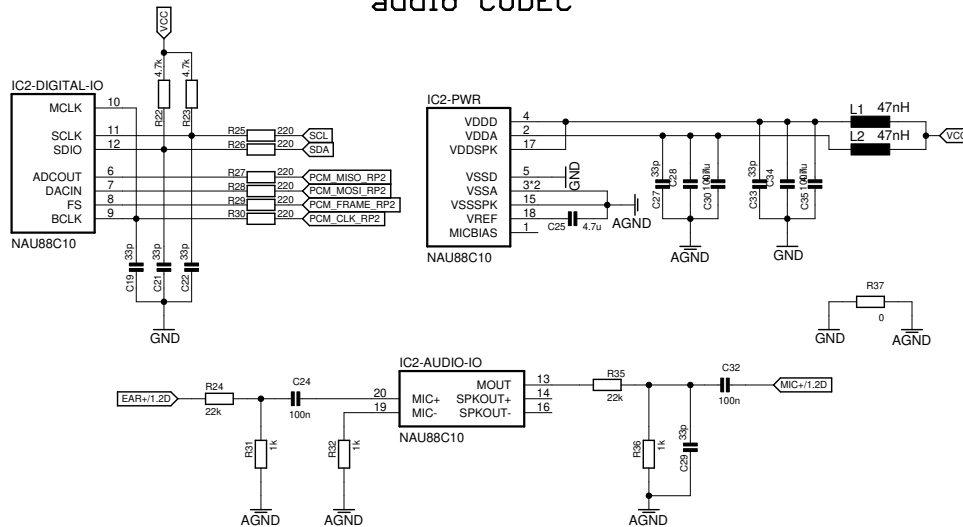
level translator



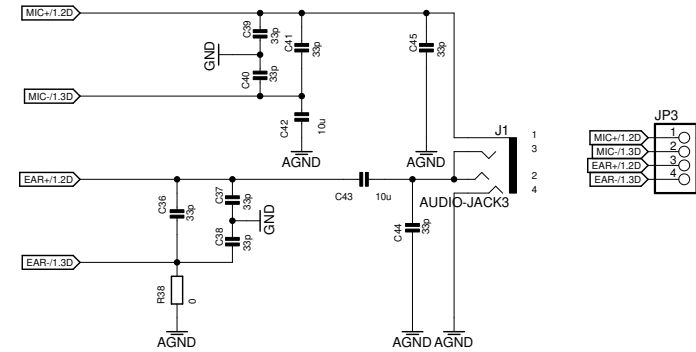
RP2040 Pico MPU



audio CODEC



audio i/o (1st channel)



GTM900 breakout board
(C) 2022 by
systocom s.f.m.c

GTM900-breakout
06.11.23 15:15
Sheet: 2/2
v3