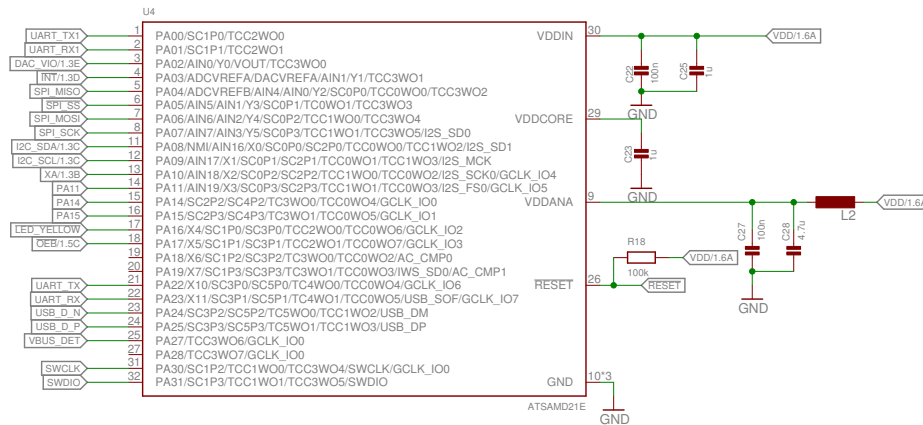


Stitching Capacitors  
where clock crosses layers

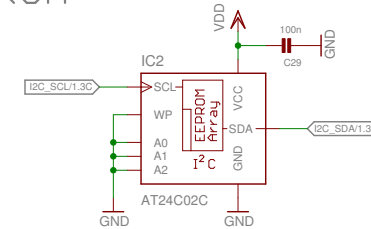
Inspired by <https://www.jackenhack.com/si5351c-i2c-frequency-clock-generator-breakout-board/> and HackRF

Osmocom clock-generator board		v2	
(C) 2018 by Harald Welte		clock-generator	
<laforge@gnunox.org>		7/7/20 5:53 PM	
OSHW / CC-BY-SA		Sheet: 1/2	

# microcontroller

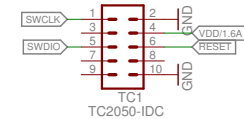


# EEPROM

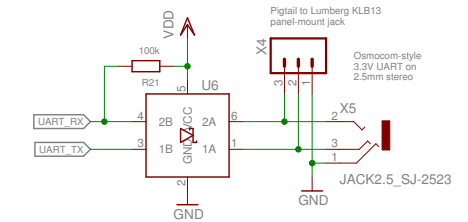


# connectors

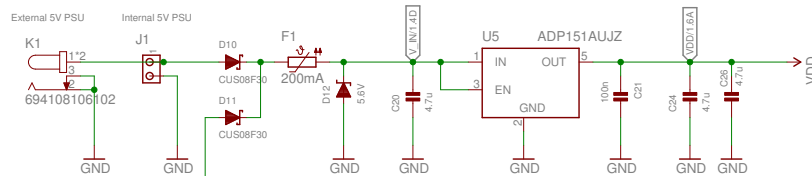
## 2x5pin TagConnect SWD



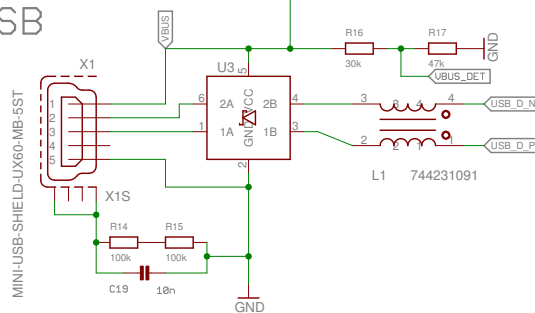
Tag-Connect TC-2050 connector for SWD Flashing/Debugging



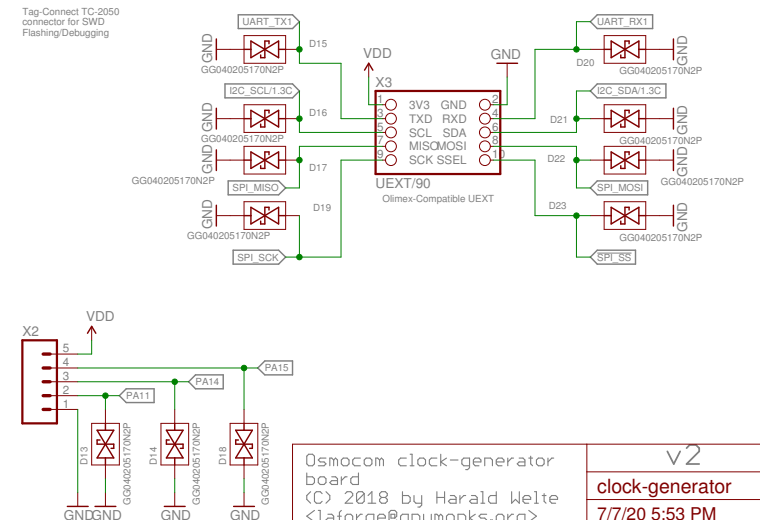
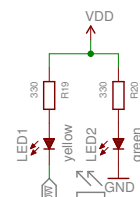
# power supply



# USB



# LEDs



Osmocom clock-generator board  
 (C) 2018 by Harald Welte  
 <laforge@gnumonks.org>  
 OSHW / CC-BY-SA

v2	
clock-generator	
7/7/20 5:53 PM	
Sheet: 2/2	